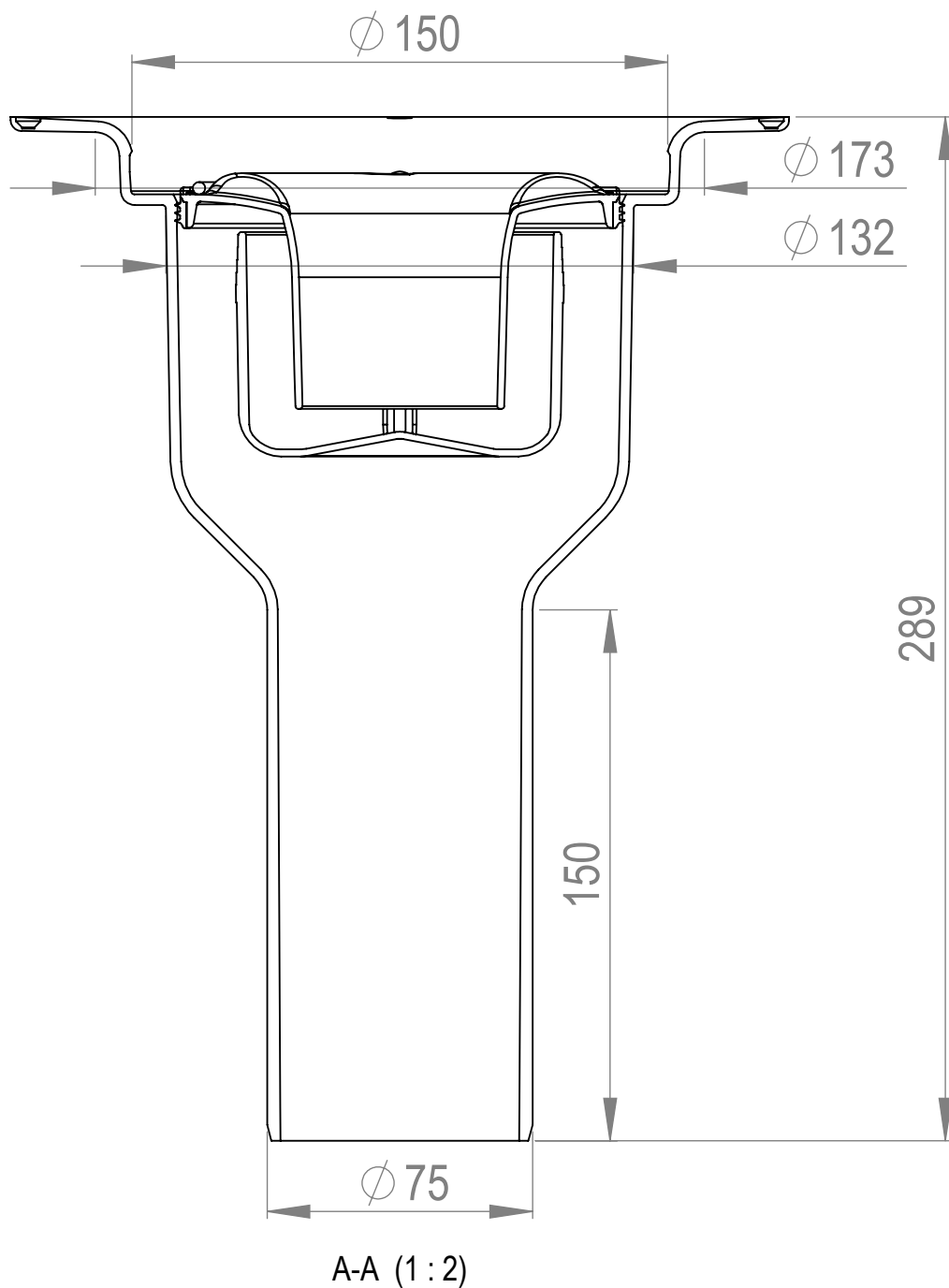


This document must not be copied without our written permission, and the contents thereof must not be imported to a third party nor be used for any unauthorized purpose. Contravention will be prosecuted. Purus AB



Den här handling får ej utan vårt medgivande kopieras. Den får ej heller delgivas annan eller ejlast obehörigen användas. Överträdelse härav beivras med stöd av gällande lag. Purus AB

Annotation		A4		This drawing replace		Replaced by		Date	
PURUS		Scale	Page	General tolerance. ISO 2768-1	Weight (gram)	Volume (cm3)	Approved by	Date	
Purus AB Södergatan 7 SE-275 31 SJÖBO, SWEDEN Ph. +46 41625700 Fax +46 41625720 www.purus.se		1:2	1(1)						
Material		Surface treatment		Designer		Created date			
Name		Måttskiss, 7113930, Brage PP		Article no		7113930		Edition	
						PPn		2009-05-20	